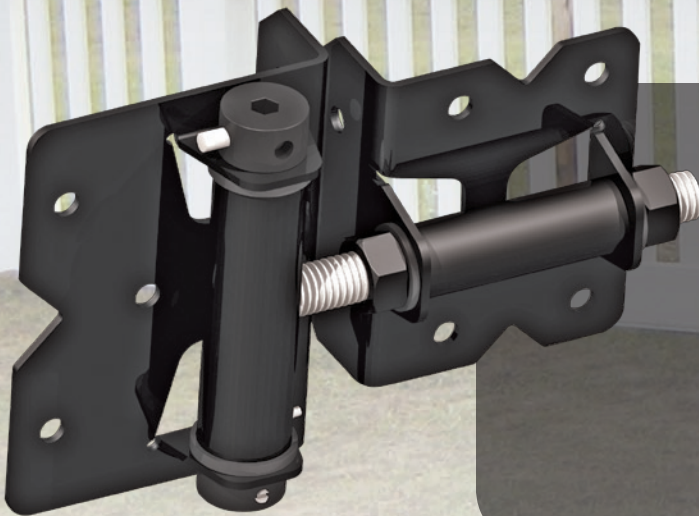
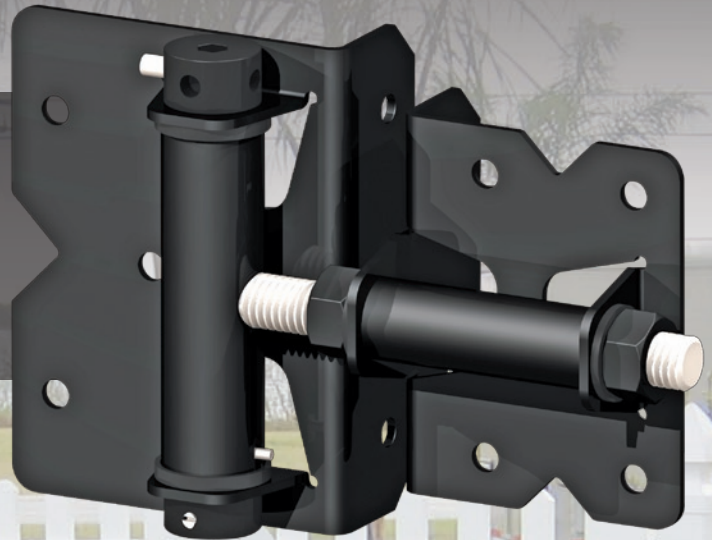


# Adjustable Heavy Duty Stainless Steel Self-Closing Hinge

Designed for larger, heavier vinyl gates

- Large spring provides increased closing power
- Very easy tension adjustment with the enclosed ¼" Allen wrench
- Larger holding pins for easier handling



## Narrow to Narrow Depth Fits Most Gates

- Post flange: 4 ½" (H) x 3.25" (W) x 1.25" (D)
- Gate flange: 3 ½" (H) x 2.75" (W) x 1.25" (D)
- Horizontally adjustable
- Enclosed spring with tension adjustment
- Stainless Steel screws included

## Ordering Information:

NWSS-HD-SC-BK

NWSS-HD-SC-WH (currently special order)

12 pairs/case @ 40 lbs



Phone: (813) 988-2628 • Fax (866) 988-3465  
www.nationwideindustries.com • fence@nationwideindustries.com