

CLK2W TWO WAY LATCH

**PLEASE CAREFULLY READ ALL OF THE
INSTRUCTIONS PRIOR TO INSTALLATION**

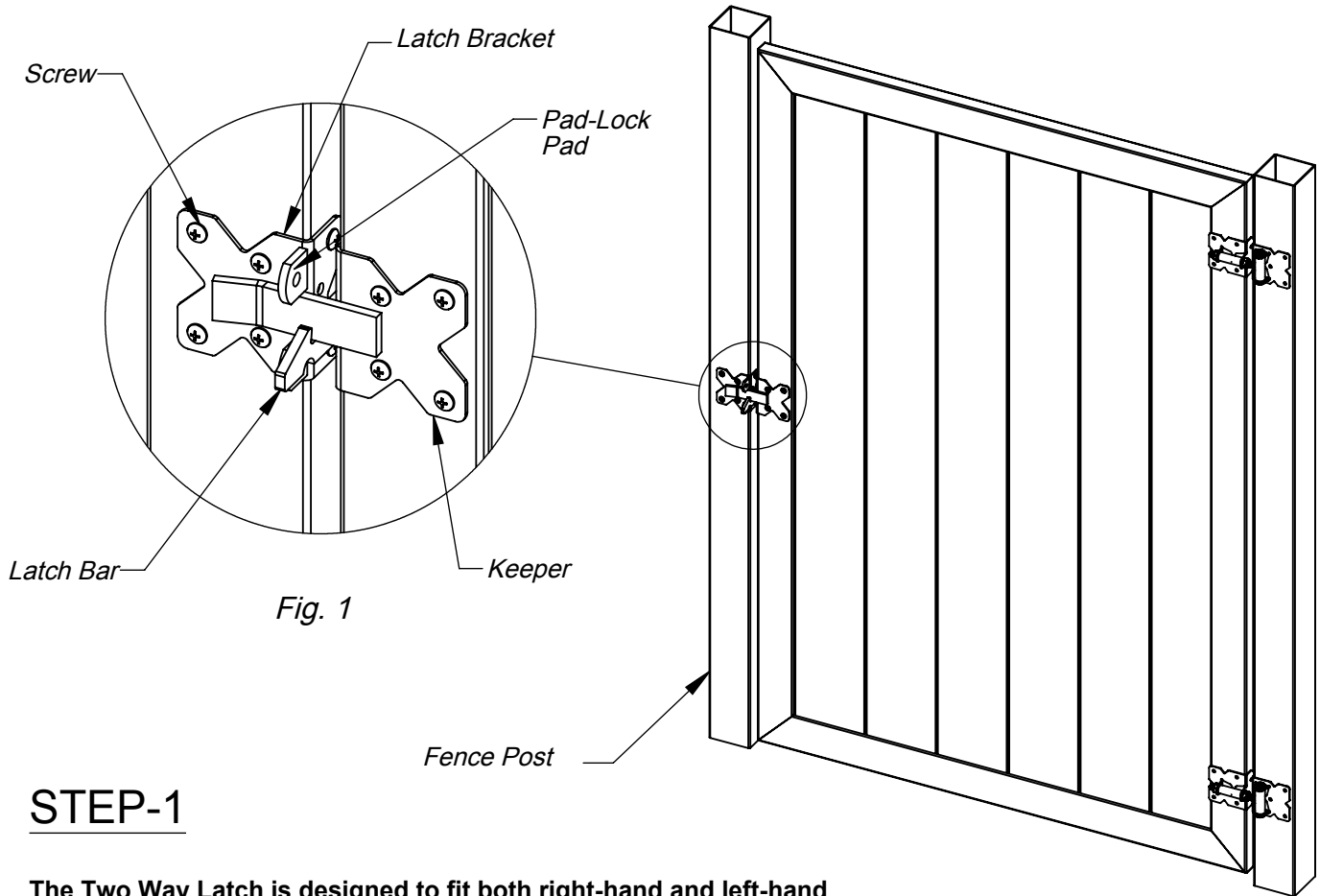


Fig. 1

STEP-1

The Two Way Latch is designed to fit both right-hand and left-hand applications. To conform to your application simply reverse the Latch Bar with receiving angle facing up and attach at bottom mounting hole of Latch Bracket with provided hardware, see Fig. 2. Before installing latch, make sure fence post is vertical and firmly anchored. First attach Latch Bracket to fence post at desired height (Hand level recommended). If necessary use Latch Bracket as a template and mark all center points and drill pilot holes for easy installation; otherwise, fasten with mounting screws provided.

STEP-2

Before installing Keeper be aware of gate sagging. With gate in closed position, attach Keeper to gate so that Keeper Bar is centered between Pad-Lock pads of Latch Bracket, see Fig. 1. If necessary use Keeper Bracket as a template and mark all center points and drill pilot holes for easy installation; otherwise, fasten with mounting screws provided.

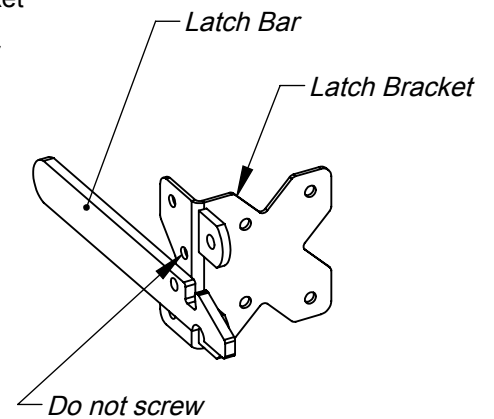


Fig. 2