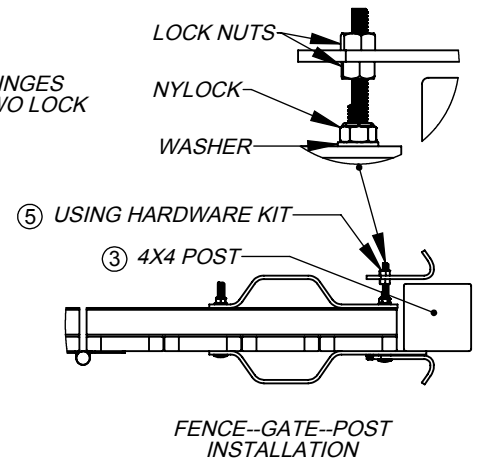
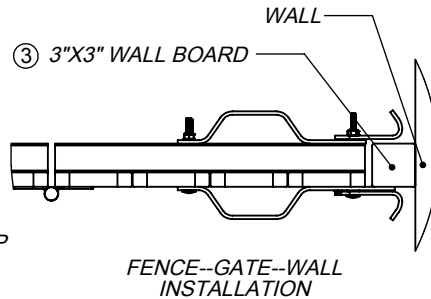
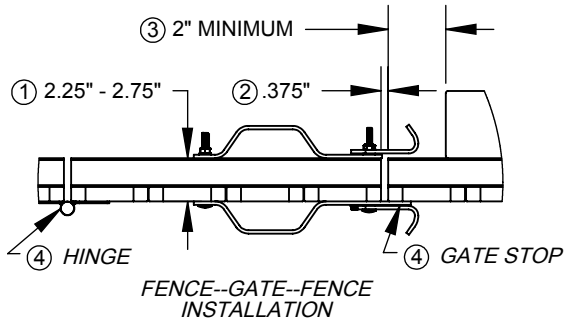


WOOD GATE LATCH WITH HANDLE

IMPORTANT - READ ALL INSTRUCTIONS PRIOR TO STARTING ASSEMBLY AND INSTALLATION

FOR THIS LATCH TO WORK PROPERLY

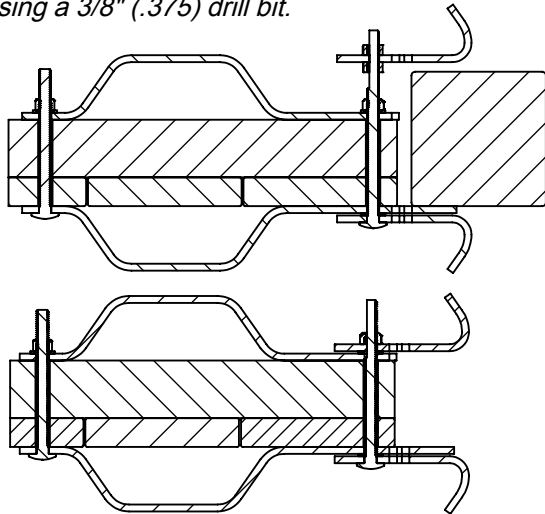
1. THE GATE MUST BE BETWEEN 2.25" AND 2.75" THICK
2. THE GAP BETWEEN THE GATE AND THE FENCE SHOULD BE 3/8" (.375")
3. A 2" MINIMUM ENGAGEMENT AREA IS REQUIRED FOR LATCH TO OPERATE.
4. THE GATE STOP SIDE OF THE HANDLE MUST BE MOUNTED ON THE SAME SIDE AS THE HINGES
5. FOR POSTS LARGER THAN 2.75", A HARDWARE KIT CONTAINING A LONGER BOLT AND TWO LOCK NUTS ARE INCLUDED.



Step 1 At the desired height for the handle, mark the gate 5/8" (.625) in from the edge for the first hole. (see figure 1)

Step 2 Use the handle as a template to mark the location of the second hole. (see figure 2)

Step 3 Drill through the gate at each mark using a 3/8" (.375) drill bit.



Step 4 Assemble the gate latch on the gate with the "Gate Stop" side of the handle mounted on the same side as the hinges. Use the longer bolt and nuts if required.

Step 5 Tighten the two Hex nuts enough so that the handle is snug while still allowing the latch to rotate freely. (see figure 3)

Step 6 The small stop bolt and washers on the "gate stop" side handle should be located in the upper hole, if not simply remove and replace in the upper hole. (see figure 4)

Step 7 Check to make sure the gate and latch function properly.

