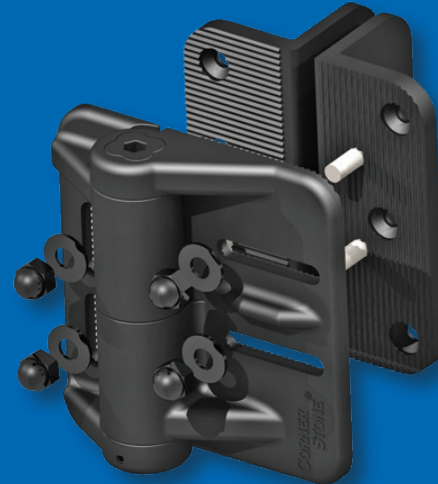




CORNERSTONE® CH200F - FULLY ADJUSTABLE SELF-CLOSING HINGE



HEAVY DUTY
DESIGN



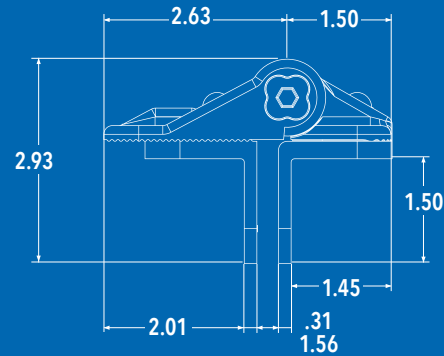
HORIZONTAL
AND VERTICAL
ADJUSTMENT



EASY
INSTALLATION



ALLEN
WRENCH
INCLUDED



Part Number	Description	Count	Case Weight (lbs)
CH200F-SD-BK	CornerStone®-Nylon Fully-Adj Self-Closing Hinge, Medium Size fits 2" Gate post & Small Gate frames SS Self-Drilling Screws, Black	20(PR)	40
CH200F-SD-WH	CornerStone®-Nylon Fully-Adj Self-Closing Hinge, Medium Size fits 2" Gate post & Small Gate frames, SS Self-Drilling Screws, White	20(PR)	40
CH200F-ZD-BK	CornerStone®-Nylon Fully-Adj Self-Closing Hinge, Medium Size fits 2" Gate post & Small Gate frames, Std Z/P Screws, Black	20(PR)	40
CH200F-ZD-WH	CornerStone®-Nylon Fully-Adj Self-Closing Hinge, Medium Size fits 2" Gate post & Small Gate frames, Std Z/P Screws, White	20(PR)	40

