

THE PROTECTOR® MAGNETIC GATE LATCH

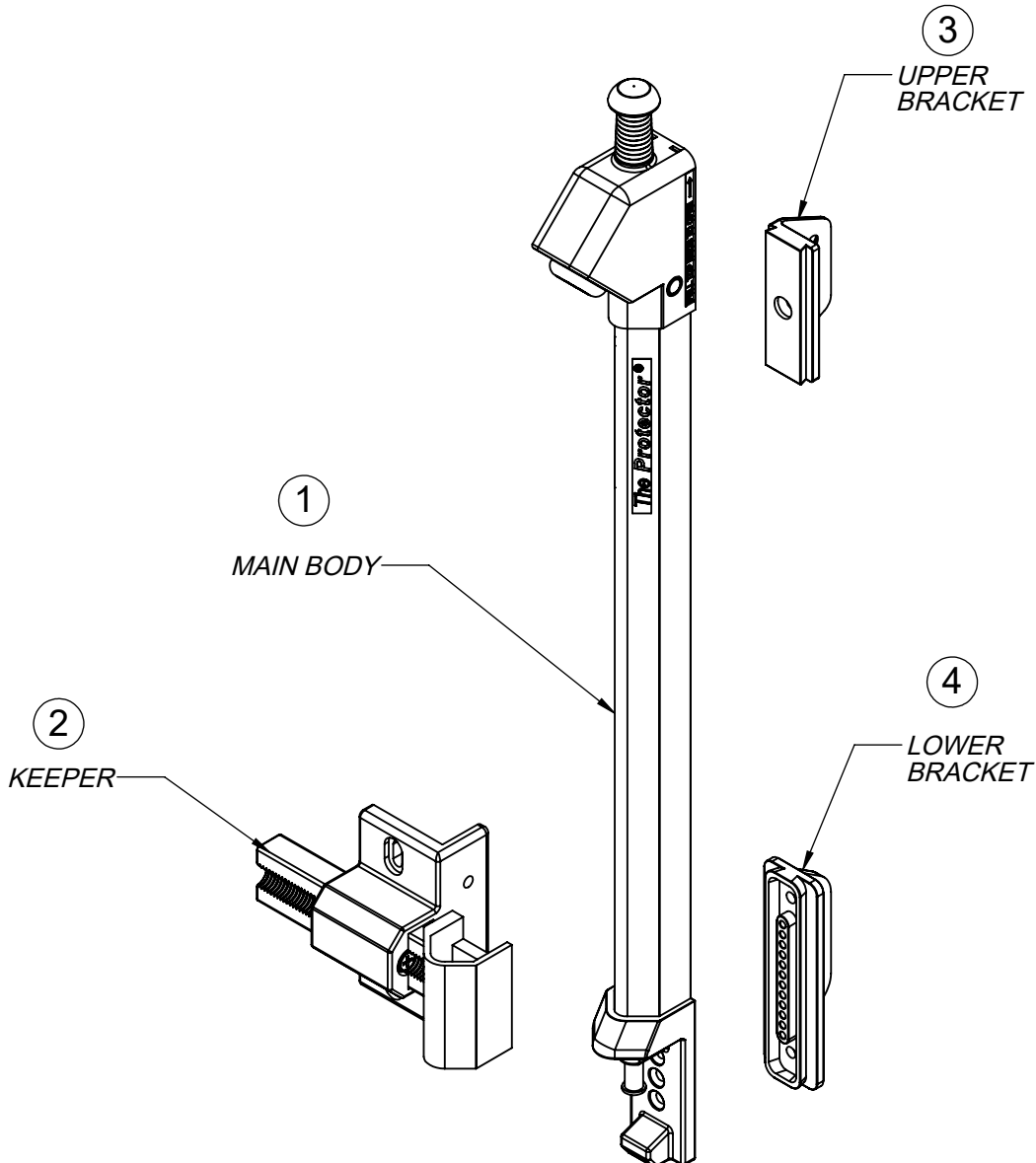
www.nationwideindustries.com

INSTALLATION, ADJUSTMENT AND MAINTENANCE INSTRUCTIONS

NOTE: Swimming pool fences, gates and latches cannot be substituted for adult supervision. If using this latch on a swimming pool gate, consult all appropriate local authorities for safety requirements.

PARTS LIST:

1. Gate Latch Main Body Assembly w/2 keys
2. Adjustable Latch Keeper
3. Upper Mounting Bracket
4. Lower Mounting Bracket
5. Screw Pack: Total of 12 screws
 - (6) #10 x 3/4" self-drilling pan head
 - (5) #10 x 3/4" self-drilling flat head
 - (1) #8 x 3/8" flat head
6. Installation and maintenance instructions



THE PROTECTOR® MAGNETIC GATE LATCH

www.nationwideindustries.com

INSTALLATION, ADJUSTMENT AND MAINTENANCE INSTRUCTIONS

STEP 1: Determine mounting height based upon local requirements.

STEP 2: Install Upper Bracket using (3) flat head screws, as near to the top of the fence post as possible (Figure 2).

STEP 3: Install Lower Bracket

1) Align the rear groove in the Main Latch Body with the tab in the Upper Bracket, and slide the latch into position. Using a measuring device, locate the top of the latch at the proper height (Figure 1). NOTE: Refer to all local building codes.

2) Temporarily insert the Bottom Bracket and align the holes with the (3) countersunk holes at the bottom of the Main Body (Figure 3). With the latch at the proper height, mark the location on the post.

3) Remove the main body and attach the lower bracket with the supplied mounting screws ((2) flat head screws and (2) pan head screws).

STEP 4: Install Main Latch Body

1) Reinstall main body as described in STEP 3 by sliding over both the Upper and Lower Brackets.

2) Align the holes of the Latch and the Bottom Bracket, making sure that the overall latch height is maintained, and secure with (1) #8 flat head screw (Figure 3).

STEP 5: Install Keeper. With gate closed, position keeper and align with Main Latch Body. Secure Keeper to gate with (4) pan head screws.

STEP 6: If any final adjustments are needed, use the Horizontal Adjustment Screw in the Keeper Assembly, or the Vertical Adjustment Holes in the Lower Bracket.

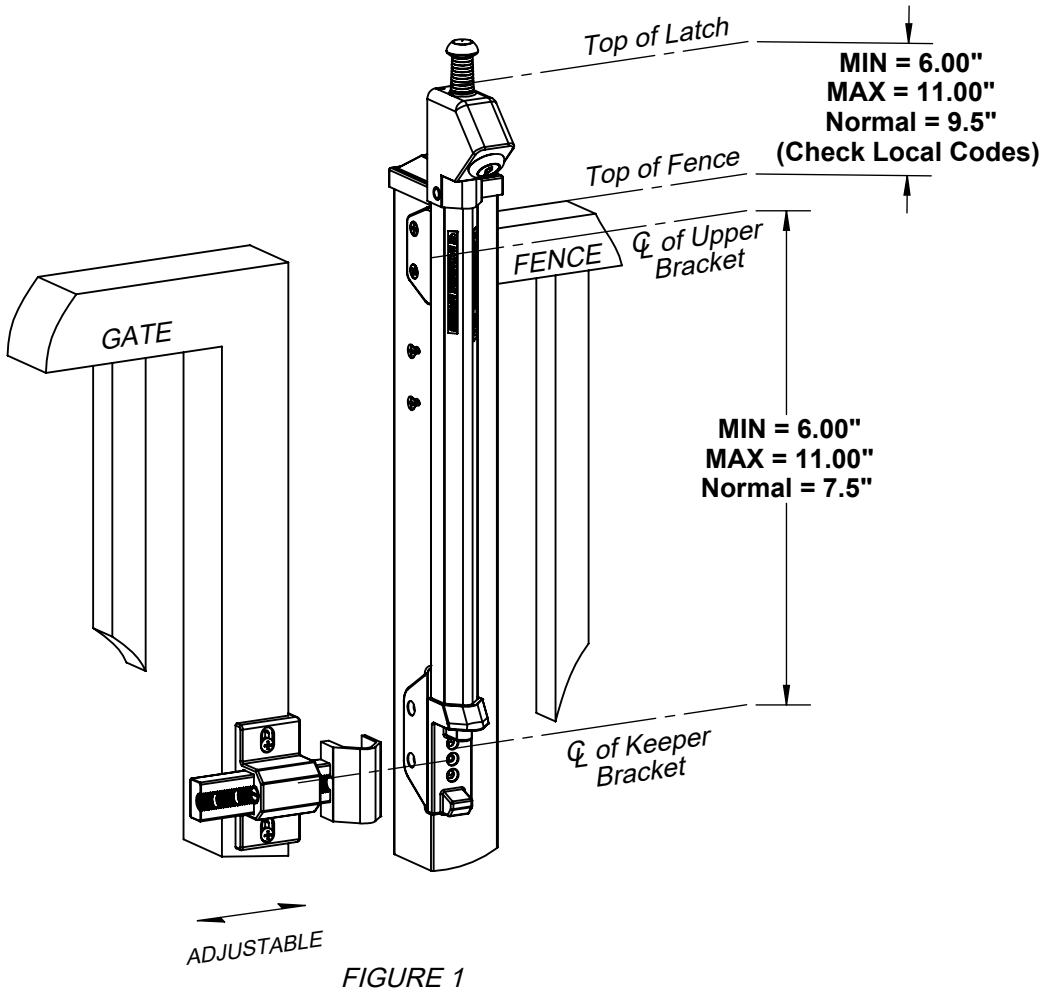


FIGURE 1

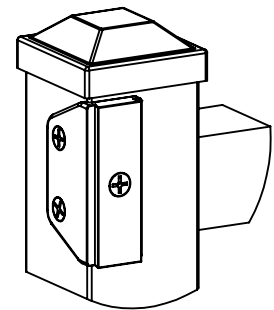


FIGURE 2

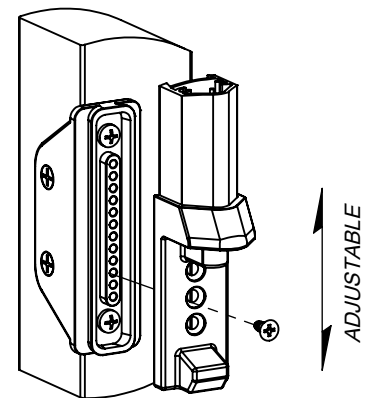


FIGURE 3