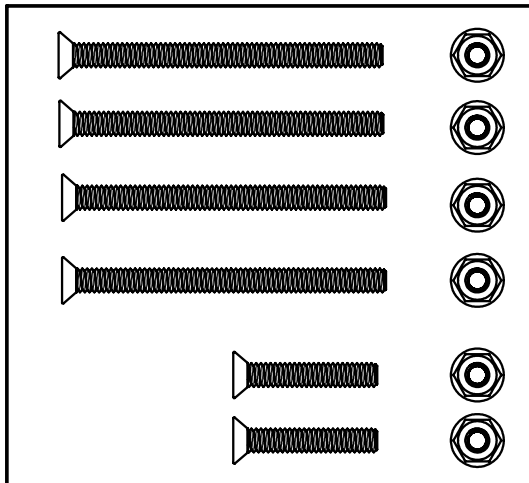
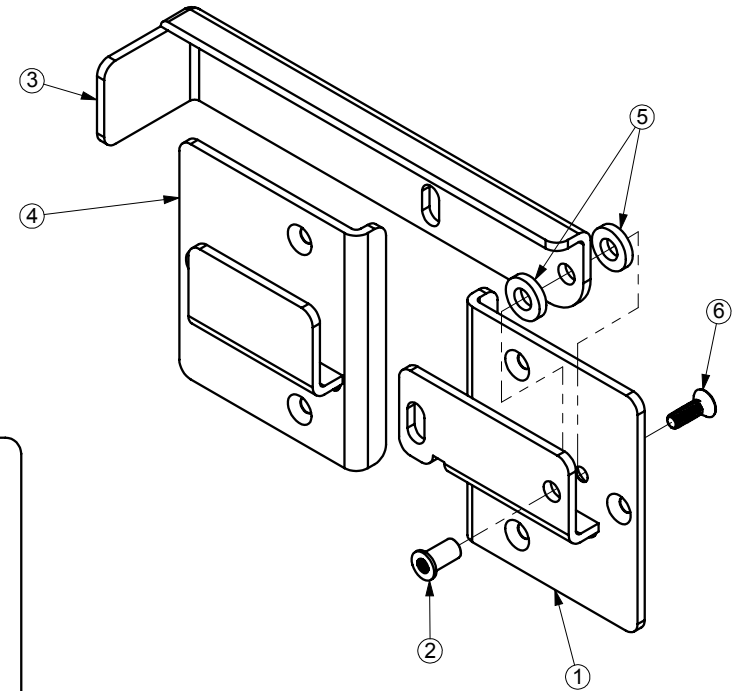
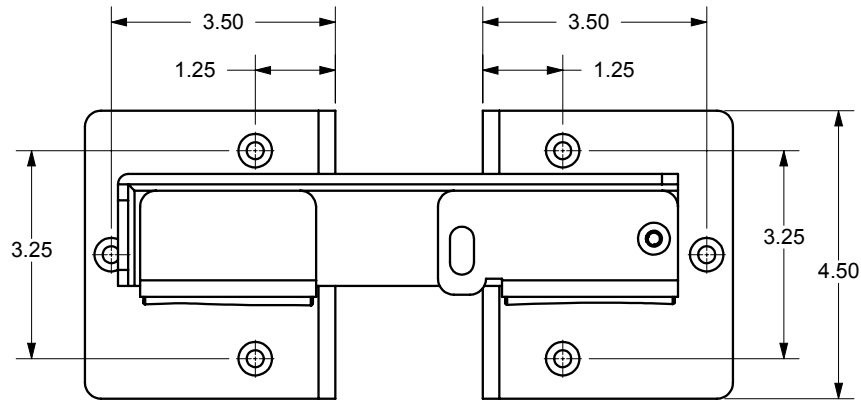
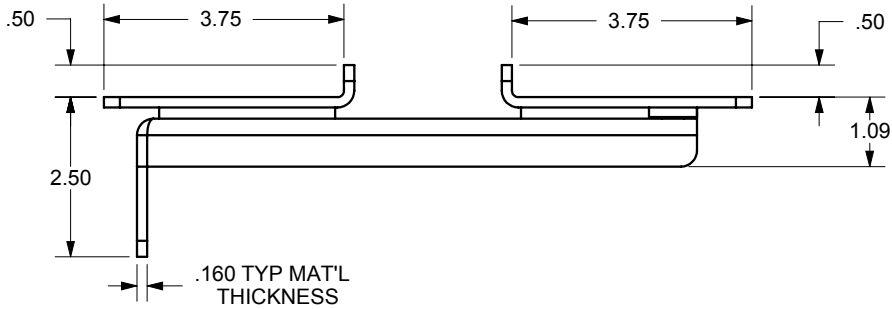


PART #	COLOR
NW6169-BK	BLACK
NW6169-WH	WHITE

		REVISIONS	
ECR/DCR	REV.	DESCRIPTION	DATE
-	-	INITIAL RELEASE	08-03-09
			APPD
			-



PACKAGING INSTRUCTIONS:

EACH KIT TO BE BOXED WITH THE PART NUMBER PRINTED ON THE TOP AND CONTAIN:

(1) ASSEMBLED LATCH, INDIVIDUALLY POLYBAGGED

(1) KEEPER, INDIVIDUALLY POLYBAGGED

(1) SCREW PACK, POLYBAGGED, CONTAINING:

(2) 1/4-20 X 1-1/2" FLAT HEAD PH., 18-8 SS SCREW

(4) 1/4-20 X 3-3/8" FLAT HEAT PH., 18-8 SS SCREW

(6) 1/4-20 SERRATED HEX FLANGE NUT, 18-8 SS

6	LATCH PIVOT SCREW	1	5
5	LATCH WASHERS	2	5
4	KEEPER	1	4
3	LATCH	1	3
2	PIVOT BARREL NUT	1	5
1	LATCH BASE	1	2
ITEM	DESCRIPTION	QTY	PG

DRAWN	NAME	DATE
CHECKED	EET	8-3-09
ENG APPR.	CGS	8-3-09
MFG APPR.		
G.A.		
COMMENTS:		



FLIP LATCH

PROPRIETARY AND CONFIDENTIAL
 THE INFORMATION CONTAINED IN THIS DRAWING IS THE SOLE PROPERTY OF NATIONWIDE INDUSTRIES. ANY REPRODUCTION IN PART OR AS A WHOLE WITHOUT THE WRITTEN PERMISSION OF NATIONWIDE INDUSTRIES IS PROHIBITED.

MATERIAL
STEEL
 FINISH
POWDERCOAT
 DO NOT SCALE DRAWING

SIZE	DWG. NO.	REV.
A	CS--NW6169	-
SCALE:1:3	WEIGHT:	SHEET 1 OF 1