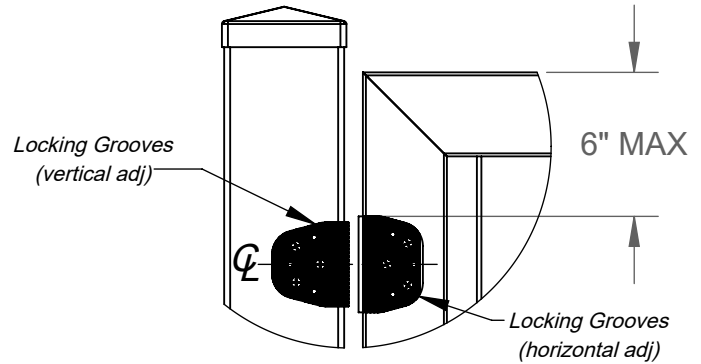
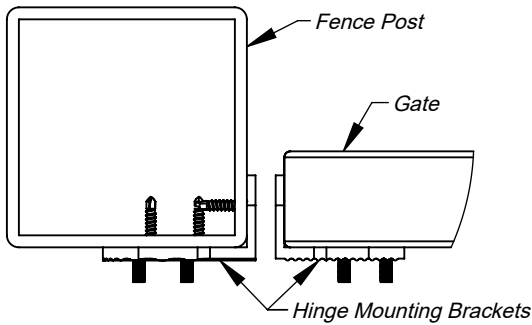


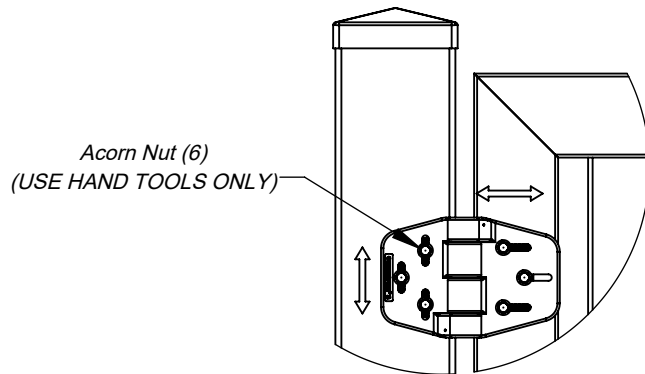
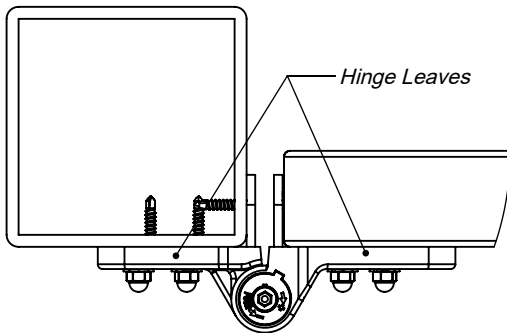
INSTALLATION, ADJUSTMENT AND MAINTENANCE INSTRUCTIONS

HINGE MOUNTING

STEP 1. The hinge mounting brackets should be located as shown, with the wide bracket (vertical adj.) installed on the fence post, and the narrow flange (horizontal adj.) positioned on the gate. The brackets should be positioned on the outside surfaces of the posts with the gate in the closed position. The top edge of the upper hinge should be mounted within 6" of the top surface of the top rail, and the bottom edge of the lower hinge should be mounted within 6" of the lower surface of the lower rail. The gate and post brackets should be centered to one another as closely as possible.



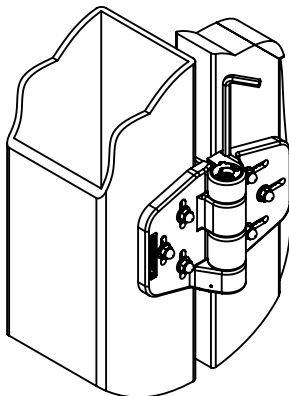
STEP 2. Install self-closing hinge assembly to mounting brackets (installed in step 1) and secure with acorn nuts (USE HAND TOOLS ONLY). Hinge should be positioned as shown so that the locking grooves on the mounting flanges will align with grooves on the back side of the hinge assembly. This will allow the hinge to be adjusted horizontally on the gate side, and vertically on the post side.



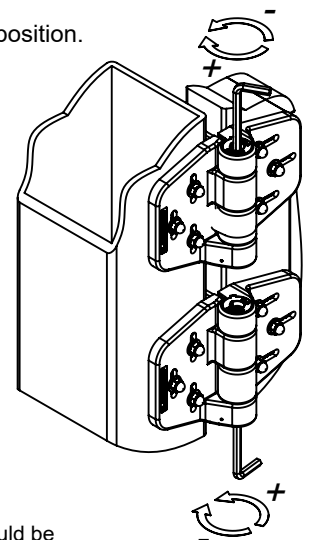
SPRING TENSION ADJUSTMENT AND MAINTENANCE

WARNING: Spring tension should never be increased more than 2 full turns (8 quarter turns) from the neutral position.

Insert allen wrench into the cam at the end of the hinge barrel.



Rotate the cam clockwise to increase (+) spring tension. To decrease (-) spring tension, press the wrench downward, pushing the cam into the barrel, and rotate the cam counter-clockwise. Adjust one hinge at a time in 1/4 turn increments.



NOTE: The hinge should be inspected annually, or more frequently if the gate is used often. Spring tension adjustments should be made as needed. The hinge should be regularly lubricated by spraying an oil-based lubricant into the area of the cams and barrel.

INSTALLATION, ADJUSTMENT AND MAINTENANCE INSTRUCTIONS

IF USING OPTIONAL ANTI-STEP CAP (C2HB-ANTISTEP):

To help deter fence climbing, Anti-Step Caps may be used. To attach an Anti-Step Cap to a hinge, place the cap onto the top of the hinge as shown below, making sure that the key and notch are aligned. Secure the cap to the hinge using the Anti-Step Screw.

