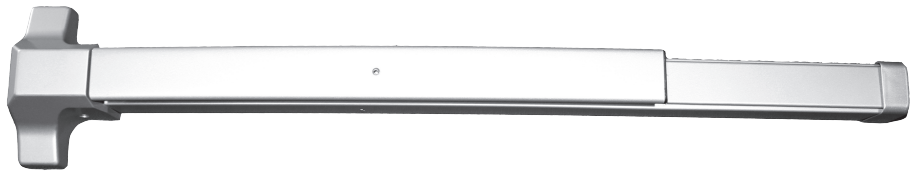




FEATURES

Rim Panic Exit Device
ANSI/BHMA Grade 1
UL listed
Complies with ADA requirements

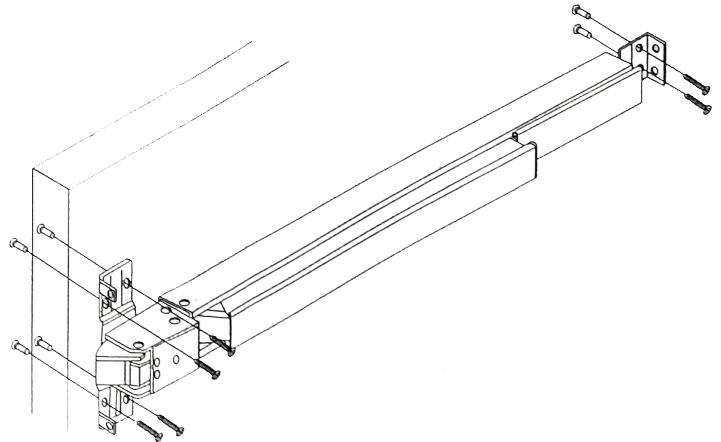


OPTIONS

Aluminum (AL)
Stainless Steel (SS)
Fire-Rated (FR)

DIMENSIONS & SPECIFICATIONS

ANSI A156.3 series Grade 1 certified
Complies with A117.1 ADA requirements
Door Thickness: 1-3/4"(45mm) standard
Device Length: 33" standard, for 36" door size
Handing: Non-handed
Head Cover: Zinc die-casted or Stainless steel
Push Bar: Plated steel or stainless steel
Chassis: Plated steel or Stainless steel
Slide Cover: Plated steel or Stainless steel
End Cap: Plated steel or Stainless steel
Latch Bolt: Stainless steel powder metallurgy
Latch Bolt Throw: 11/16" (17mm)
Deadlocking Latch: Stainless steel powder metallurgy
Deadlocking Latch Throw: 9/16" (14mm)
Dogging: 1/4" turn hex key dogging, standard
Strike: Zinc die-casted (AL) or solid stainless steel, with a plated roller (SS/FR)
Finishes: Satin Stainless Steel (00); Aluminum paint (0A)



ORDERING INFORMATION

Option

Aluminum
Stainless Steel
Fire-Rated

Order #:

PB1100AL
PB1100SS
PB1100FR