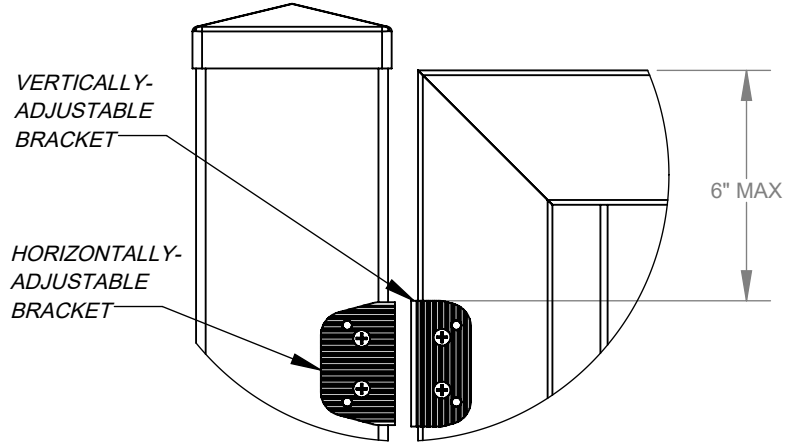
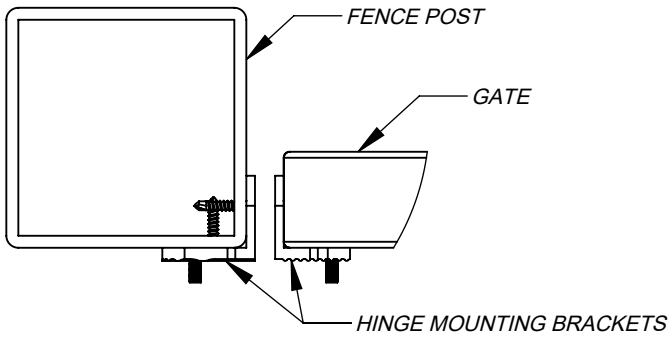


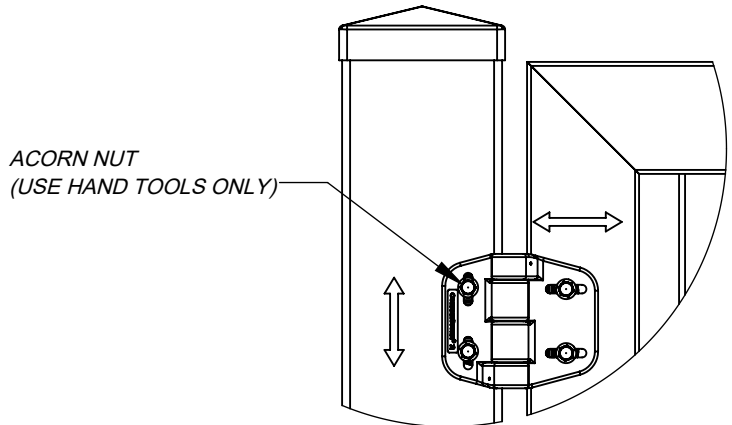
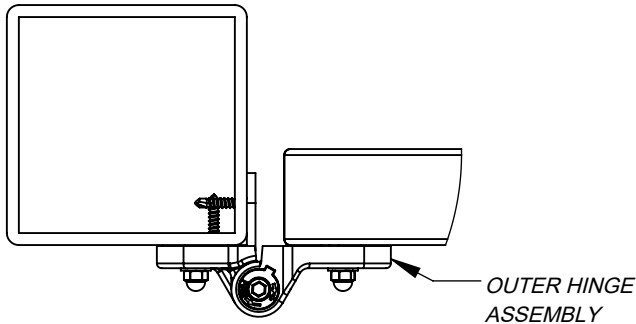
INSTALLATION INSTRUCTIONS

HINGE MOUNTING

STEP 1: The hinge mounting brackets should be located as shown, with the vertically-adjustable bracket on the fence post and the horizontally-adjustable bracket on the gate. The brackets should be positioned on the outside surfaces of the posts with the gate in the closed position. The top of the upper hinge should be mounted within 6" of the top surface of the top rail, and the bottom of the lower hinge should be mounted within 6" of the lower surface of the lower rail. The gate and post brackets should be centered to each other as closely as possible.



STEP 2: Install the outer hinge assembly to the mounting brackets and secure with acorn nuts using hand tools only. The hinge should be positioned as shown so the locking grooves on the brackets align with the grooves on the back of the outer hinge assembly.



SPRING TENSION ADJUSTMENT AND MAINTENANCE

WARNING: Spring tension should never be increased more than 2 full turns (8 quarter-turns) from the neutral position.
NOTE: The hinge should be inspected annually, or more frequently if the gate is used often. Spring tension adjustments should be made as needed. The hinge should be regularly lubricated by spraying an oil-based lubricant into the area of the cams and barrel.

STEP 1: Insert the allen wrench into the cam at the end of the hinge barrel.

STEP 2: Rotate the cam clockwise to increase spring tension. To decrease spring tension, press the wrench downward, pushing the cam into the barrel, and rotate the cam counter-clockwise. Adjust one hinge at a time in 1/4-turn increments.

