

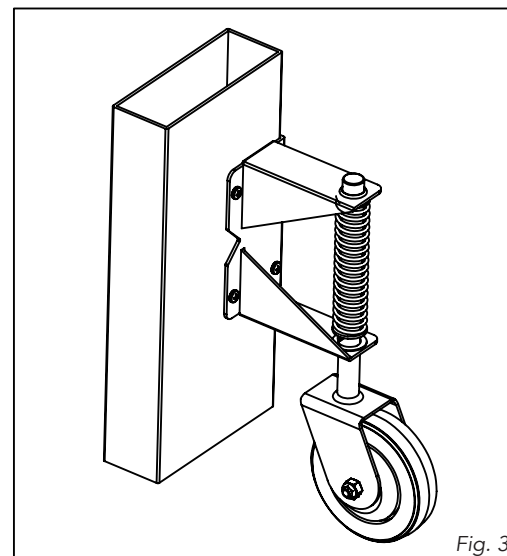
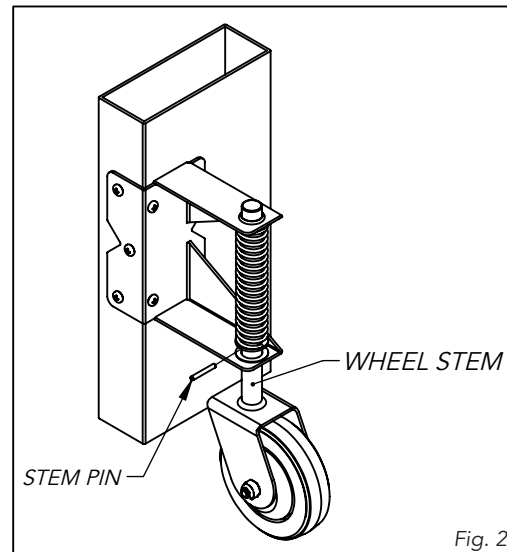
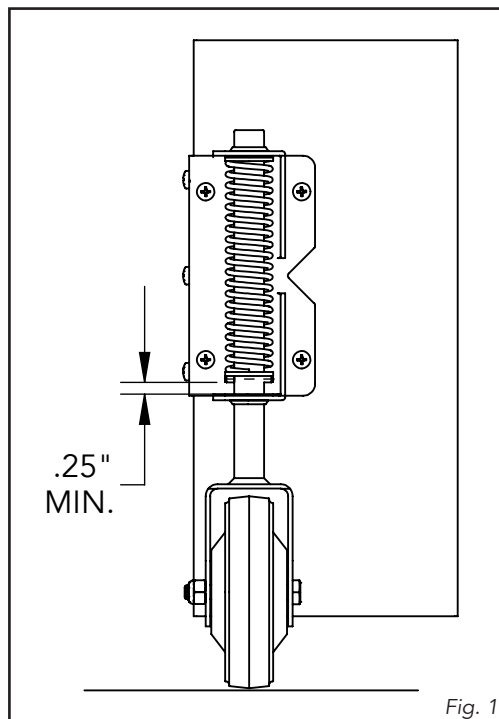
GW1 VINYL GATE WHEEL



SCAN FOR MORE
INFORMATION

MOUNTING INSTRUCTIONS

1. Locate gate wheel assembly on gate as required.
2. Press down on bracket assembly to compress the spring a minimum of 1/4".
3. Making sure the spring is compressed, mount assembly using the supplied mounting screws.
4. Open and close gate to ensure gate wheel operates smoothly.



CHANGING MOUNTING ORIENTATION

1. Using a hammer and punch, lightly tap the stem pin out of the wheel stem.
2. Slide wheel stem out of the bracket. If possible, hold spring and washers in place.
3. Rotate bracket 180 degrees and reassemble.
4. Re-install stem pin and mount gate wheel as instructed.

NOTE:

Take care not to deform the stem pin during removal.