

PATENTED

CORNERSTONE® 2 C2H200F & C2H300F SELF-CLOSING ORNAMENTAL HINGE



C2H200F

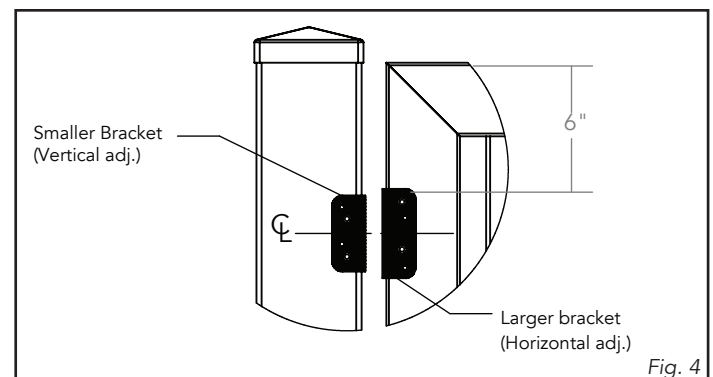
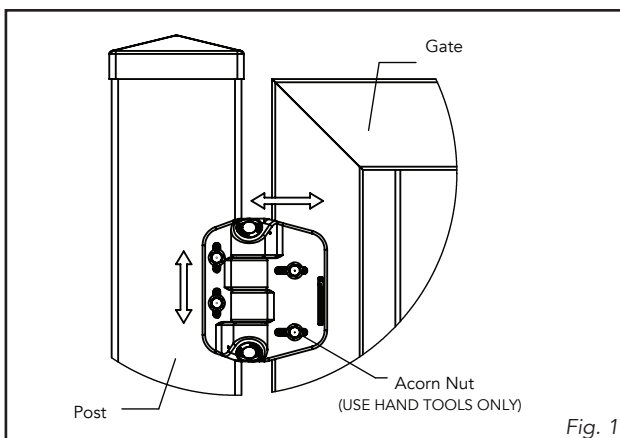
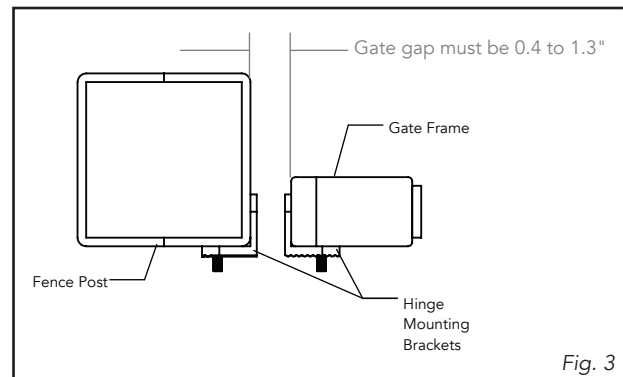
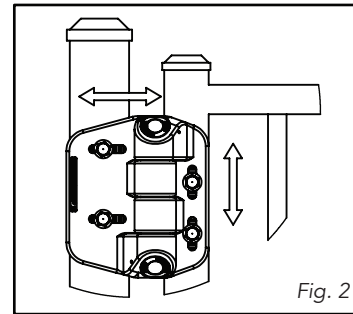


C2H300F

SCAN FOR MORE INFORMATION

HINGE MOUNTING:

1. First, choose the desired direction of mounting. Applications using larger post and gate frames should mount the hinge so that the vertical adjustment is on the fence post and the horizontal adjustment is on the gate frame (Fig. 1). Applications with smaller gate frames (1.5" - 2") should mount the hinge so that the vertical adjustment is on the gate frame and the horizontal adjustment is on the post (Fig. 2).
2. The brackets should be positioned on the outside surfaces of the posts with the gate in the closed position (Fig. 3). The top edge of the upper hinge should be mounted within 6" of the top surface of the top rail, and the bottom edge of the lower hinge should be mounted within 6" of the lower surface of the lower rail (Fig. 4). In applications where additional hinges are used, they should be evenly spaced between the upper and lower hinges. The mounting brackets with horizontal locking grooves are for the vertically adjustable side of the hinge, while the brackets with the vertical locking grooves are for the horizontally adjustable side of the hinge.
3. Install self-closing hinge assembly to mounting brackets (installed in step 2) and secure with washers and acorn nuts (use hand tools only). Hinge should be positioned as shown so that the locking grooves on the mounting brackets will align with grooves on the back side of the hinge assembly (Fig. 5).



PATENTED

CORNERSTONE® 2 C2H200F & C2H300F SELF-CLOSING ORNAMENTAL HINGE

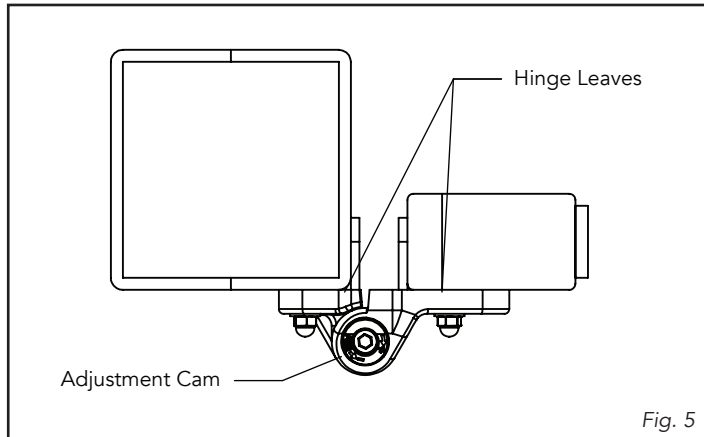


C2H200F



C2H300F

SCAN FOR MORE
INFORMATION



SPRING TENSION ADJUSTMENT AND MAINTENANCE

1. Insert Allen Wrench into the cam at the end of the hinge barrel.
2. Rotate the cam clockwise to increase spring tension. To decrease spring tension, press the wrench downward, pushing the cam into the barrel, and rotate the cam counter-clockwise. Adjust one hinge at a time in quarter-turn increments.

Note: The hinge should be inspected annually, or more frequently if the gate is used often. Spring tension adjustments should be made as needed. The hinge should be regularly lubricated by spraying an oil based lubricant into the area of the cams and barrel.

WARNING

Spring tension should never be increased more than 2 full turns (8 quarter-turns) from the neutral position.

