

PATENTED

## CORNERSTONE® CH300H HORIZONTALLY ADJUSTABLE HINGE



SCAN FOR MORE INFORMATION

### HINGE MOUNTING:

The top surface of the upper hinge should be mounted within 6" of the top surface of the top rail (Fig. 2), and the bottom surface of the lower hinge should be mounted within 6" of the lower surface of the lower rail.

In applications where additional hinges are used, they should be evenly spaced between the upper and lower hinges.

1. The hinges should be mounted, with the gate closed, by positioning the "fixed" hinge leaf on the outside surface of the post, and the horizontally adjustable leaf on the gate.
2. When attaching the hinge to the gate, begin by centering screws in the top and bottom slots only (Fig. 3). Make all final adjustments to the gate and tighten the (4) screws.
3. With the gate secured, install the final (2) screws in the center slots located as shown in figure 3 (top hinge = far right of slot, bottom hinge = far left of slot).

### GATE ADJUSTMENT:

In the event that the gate requires adjustment due to excessive "sag", always begin by making adjustments to the top hinge first.

1. To adjust the position of gate, remove the "gate side" center screws of both upper and lower hinges (Fig. 3).
2. Slightly loosen the remaining "gate side" screws until the gate can be repositioned.
3. When desired adjustment is achieved, re-engage the (4) screws so that they seat within one of the adjustment countersinks. Re-install the center screws as described in the mounting instructions. New pilot holes will be required for the center (2) screws.

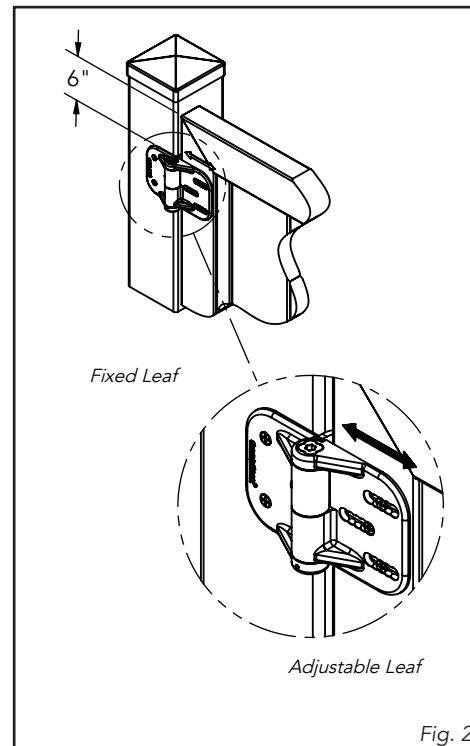


Fig. 2

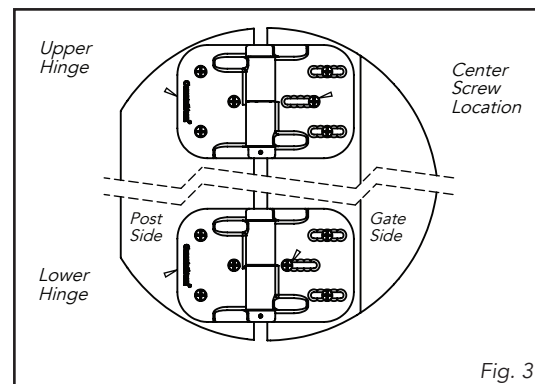


Fig. 3

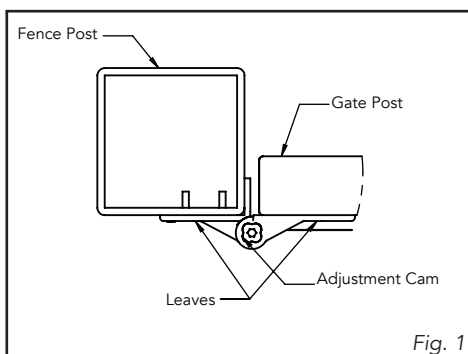


Fig. 1

**Note:** To achieve proper screw holding power, screws should engage a gate/post reinforcement or other backing plate method and not just the vinyl extrusion.

PATENTED

## CORNERSTONE® CH300H HORIZONTALLY ADJUSTABLE HINGE



SCAN FOR MORE  
INFORMATION

### SPRING TENSION ADJUSTMENT AND MAINTENANCE:

#### WARNING:

Spring tension should never be increased more than 2 full turns (8 quarter-turns) from the neutral position.

The CH300H Hinges are factory supplied without tension applied to the springs. Follow instructions for applying proper operating spring tension. **DO NOT OVER-TENSION SPRINGS.** A suggested test is to open the gate a minimum of 6", and allow to close on its own. If the hinges provide enough closing force for the latch to engage, the springs are tensioned sufficiently.

1. Insert allen wrench into the cam at the end of the hinge barrel (Fig 4).
2. Press the wrench downward, pushing the cam into the barrel (Fig 5).
3. Rotate the cam clockwise to increase spring tension and counter-clockwise to reduce spring tension. Adjust one hing at a time in quarter-turn increments (Fig 6).

**Note:** The hinge should be inspected annually, or more frequently if the gate is used often. Spring tension adjustments should be made as needed. The hinge should be regularly lubricated by spraying an oil-based lubricant into the area of the cams and barrel.

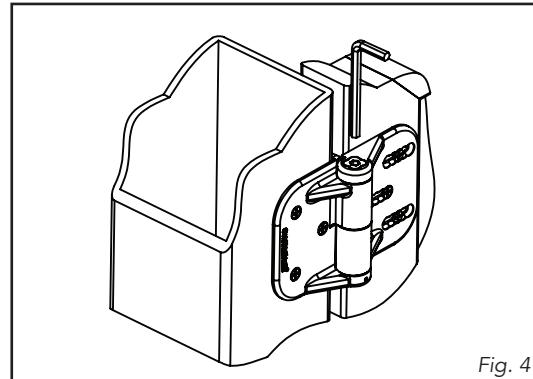


Fig. 4

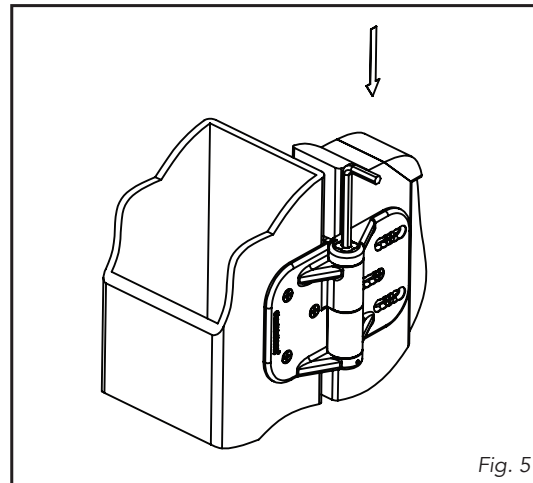


Fig. 5

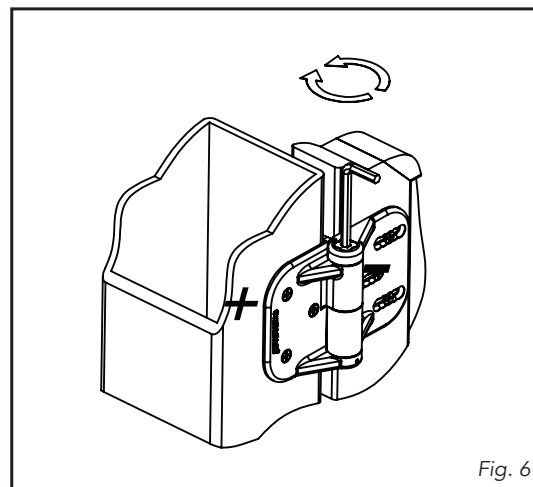


Fig. 6