

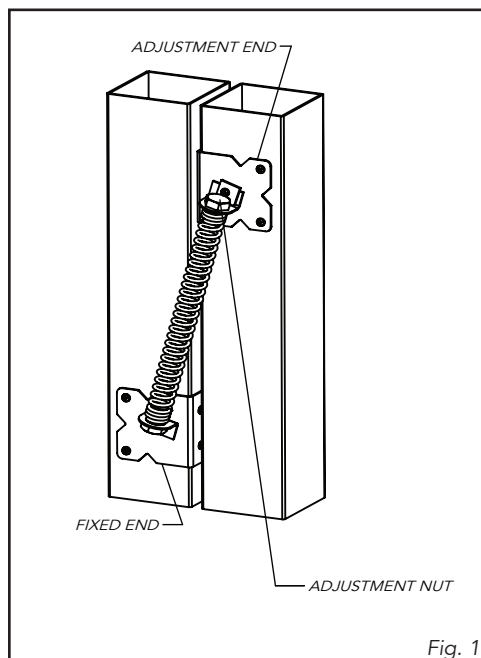
# NW198 GATE SPRING



SCAN FOR MORE  
INFORMATION

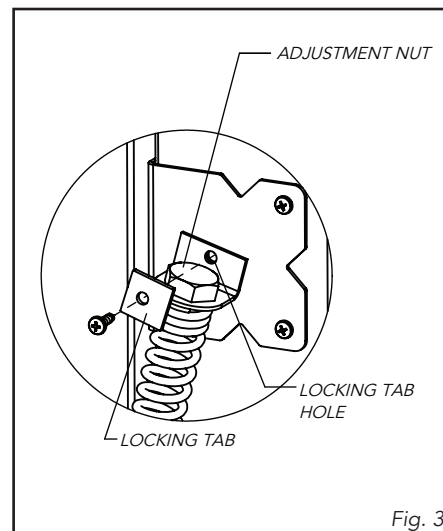
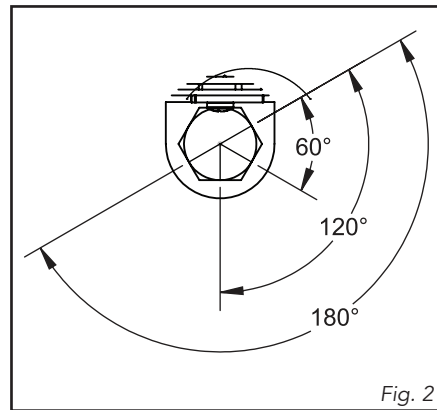
## INSTALLATION

1. Install the gate onto the fence post with hinges and latch.
2. Position the spring on the fence and gate posts between the hinges. The adjustment end should be positioned on the top and to the right, and the fixed end positioned on the bottom to the left (Fig.1). Install the attachment screws in all holes except for the locking tab hole. Do not install the locking tab yet.
3. With the gate closed and the locking tab not installed, the spring is at the "rest" position. Add tension to the spring by turning the adjustment nut clockwise. Insert the locking tab between the adjustment nut and the bracket to hold the tension. Test the gate after each adjustment, and add tension as required. Add tension in 60 degree increments (there is a 60 degree angle between flat sides of the adjustment nut, as shown in Fig. 2).
4. Once the spring is adjusted to the desired tension, the locking tab screw should be inserted through the locking tab and through the locking tab hole into the post to hold the adjustment nut in position (Fig. 3).



## Note:

If future adjustments are required, carefully remove the locking tab while holding the nut in place with a wrench, and allow the spring to return to the "rest" position by turning the wrench counter-clockwise. Add tension according to the above instructions, and do not add more than 180 degrees of adjustment.



## WARNING

Do not add more than 180 degrees of adjustment to the spring from the "rest" position (half-turn of the adjustment nut).