

GATE HARDWARE KITS - CHAIN LINK POOL KIT - NWKIT-CL-POOL



SCAN FOR MORE
INFORMATION

INSTALL KEYSTONE® HINGE CH200FR ROUND POST SELF-CLOSING ADJ. HINGE

HINGE INSTALLATION:

The CornerStone® Round Post Self-Closing Adjustable Hinge is designed to fit both right-hand and left-hand applications. A set of shims have been provided to fit the most commonly used fence post and gate sizes. The chart below will help you to choose the appropriate shim for your application. However, Gate Back Plate alone will fit 1-3/8" gate tubing, and Fence Post Back Plate alone will fit 1-7/8" post tubing.

1. Before installing hinge assembly, make sure fence post is vertical and firmly anchored and gate is properly blocked with desired gap to fence post in closed position. Attach both back plates to hinge, with appropriate shims if applicable, with hardware provided and desired gap. Make sure spring tension is in neutral position. Mark the center of both back plates and shims, if applicable, as guide lines for positioning, as shown in (Fig. 2). Locate hinge assembly at desired height embracing both fence post and gate to full contact with back plates and shims at once, then using the guide line marks of hinge, mark the gate and post fence horizontally and vertically as shown in (Fig. 1). Make sure hinge assembly is not closed to its maximum position, a 1/10" gap between hinge leaves must be noticed with spring tension in neutral position, as shown in (Fig. 2).
2. With guide lines marked in gate, fence post and back plates, proceed to detach both back plates from hinge. Using each back plate as a template, reposition it at the marked locations, mark and drill all center points of back plates, as seen on (Fig. 3). For easy installation we suggest to drill pilot holes; however, #10 flanged hex head self-drilling screws have been provided to fasten back plates to gate and fence post if you choose not to drill pilot holes.
3. With back plates fastened in place, reinstall hinge assembly to both back plates with supplied hardware, do not over torque acorn nuts (USE HAND TOOLS ONLY). The CornerStone® Round Post Self-Closing Adjustable Hinge is designed to be horizontal (1-1/4") and vertical (3/4") adjustable. Align locking grooves of back plates with hinge assembly to achieve desired adjustment. Open and close gate to ensure proper installation and operation.

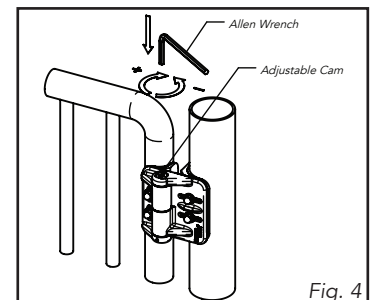
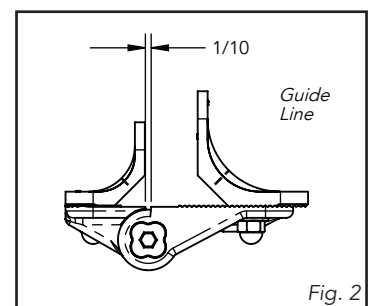
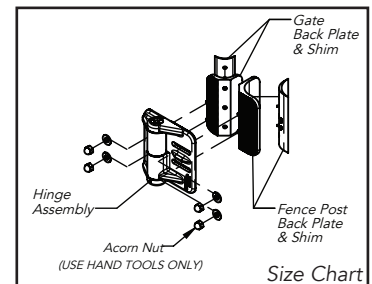
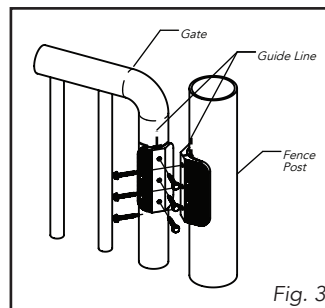
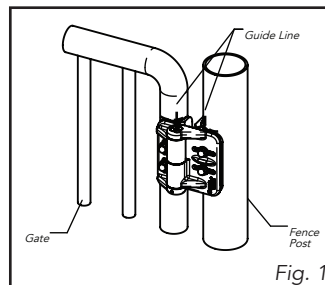
SPRING TENSION ADJUSTMENT AND MAINTENANCE

1. Insert Allen Wrench into the adjustable cam.
2. Press the wrench downward, pushing the cam into the barrel.
3. Rotate the cam clockwise to increase spring tension and counter-clockwise to reduce spring tension. Adjust one hinge at a time in quarter-turn increments.

NOTE:

The hinge should be inspected annually and regularly lubricated by spraying an oil based lubricant into the barrel.

Shim Size Chart	
Gate sizes	Post Fence Sizes
Ø 1-5/8	Ø 2-3/8
	Ø 2-5/8
	Ø 2-7/8



NWI-052024-554585

GATE HARDWARE KITS - CHAIN LINK POOL KIT - NWKIT-CL-POOL



SCAN FOR MORE
INFORMATION

Note: swimming pool fences, gates and latches cannot be substituted for adult supervision. If using this latch on a swimming pool gate, consult all appropriate local building codes for compliance.

INSTALLING LOCK KIT (OPTIONAL)

Assemble the lock kit (Fig. 8). Slide the lock kit over the latch tube. Align the holes of the lock kit and the main latch body, and secure with a tube screw (Fig. 9).

MOUNTING

This latch may also be mounted using only screws (not provided) in the holes located in the tube mount, latch mount, and keeper, where cable ties are normally located (Fig. 10). Note: cable ties and optional screw locations cannot be used at the same time.

