

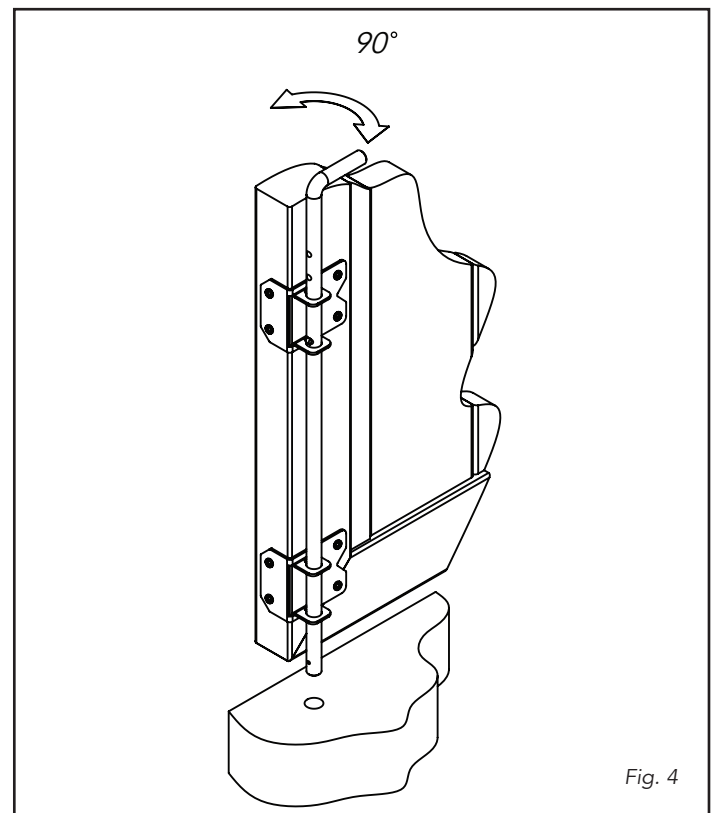
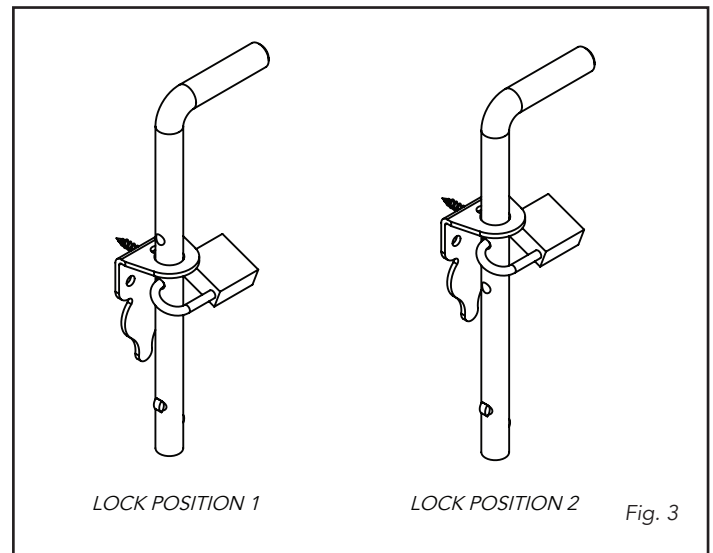
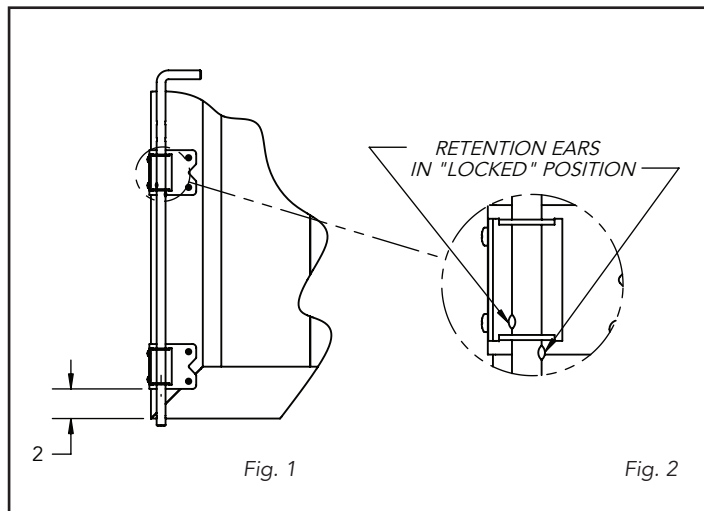
# NW38305-18Q HEAVY DUTY DROP ROD



SCAN FOR MORE  
INFORMATION

## INSTALLATION

1. Mount the lower drop rod guide two (2) inches from the bottom edge of gate with the supplied screw (Fig. 1).
2. Align the upper guide with the lower guide using the drop rod, and move the retention ears of the drop rod into the locked position (Fig. 2). In this position, attach the top guide bracket to the gate with the mounting screws. This will ensure that the drop rod does not drag when the gate is opened and closed.



## OPERATION

1. To open the gate, lift the drop rod until the upper retention ear contacts the upper guide bracket (Fig. 2). Rotate the drop rod 90° clockwise until the ear passes through the bracket opening, and then back 90° counterclockwise to lock in place (Fig. 4).
2. To close the gate, reverse step 1, and lower the drop rod into the aligned hole in the floor.

## LOCKING THE DROP ROD

With the holes provided, the drop rod can be locked in either of the two positions shown (Fig. 3). These locking positions will allow for variations in hole depth.