

| PART # | FINISH | MATERIAL |
|-----------|-------------------|-------------------|
| NW38944Q | BLACK POWDER COAT | ZINC-PLATED STEEL |
| NW38944SS | MILL | STAINLESS STEEL |

| | | REVISIONS | | |
|---------|------|--------------------|----------|------|
| ECR/DCR | REV. | DESCRIPTION | DATE | APPD |
| - | - | INITIAL RELEASE | 08-15-08 | EET |
| - | 1 | ADDED PART # TABLE | 05-29-24 | DDC |

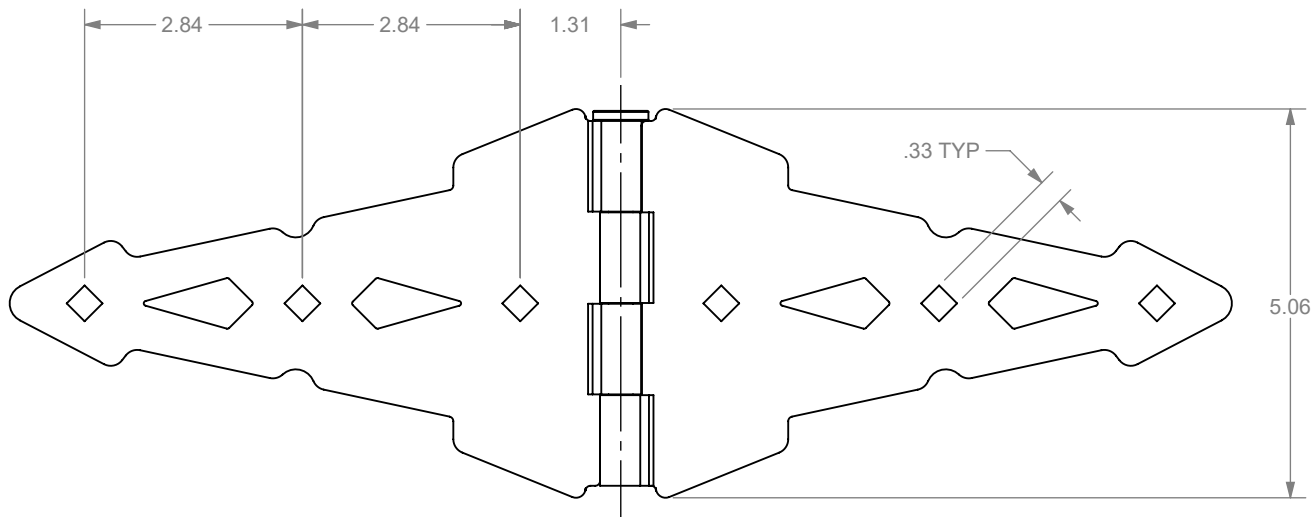
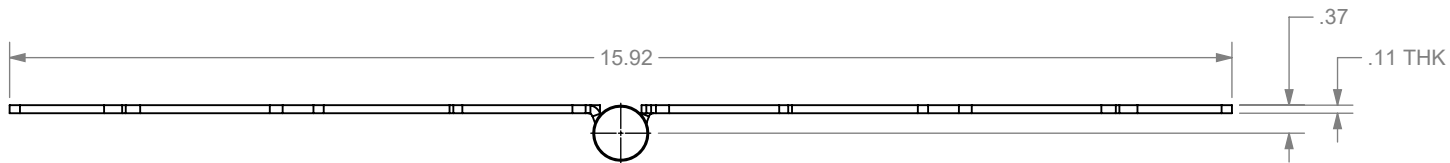
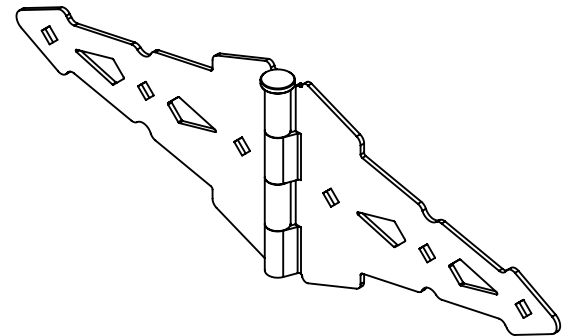
PACKAGING INSTRUCTIONS

POLYBAG CONTAINING:

- (2) HINGE ASSEMBLIES - MATERIAL: SEE TABLE

- POLYBAG CONTAINING:

- (12) 5/16" X 1.75" LAG SCREWS - MATERIAL: SEE TABLE



DIMENSIONS ARE IN INCHES
 TOLERANCES:
 FRACTIONAL ±1/16"
 ANGULAR: MACH ±1° BEND ±1°
 TWO PLACE DECIMAL ±0.01
 THREE PLACE DECIMAL ±0.005

PROPRIETARY AND CONFIDENTIAL
 THE INFORMATION CONTAINED IN THIS
 DRAWING IS THE SOLE PROPERTY OF
 NATIONWIDE INDUSTRIES. ANY
 REPRODUCTION IN PART OR AS A WHOLE
 WITHOUT THE WRITTEN PERMISSION OF
 NATIONWIDE INDUSTRIES IS PROHIBITED.

**NATIONWIDE
 INDUSTRIES®**

**8" CONTEMPORARY
 DOUBLE STRAP HINGE**

| | | |
|------------------|-----------------------------------|------------------|
| SIZE A | DWG. NO. CS--NW38944 | REV. 1 |
| SCALE: 2:5 | WEIGHT: | SHEET 1 OF 1 |

| PART # | COLOR | MOUNTING SCREW MATERIAL |
|----------|-------|-------------------------|
| NW38310Q | BLACK | HDG STEEL |

| ECR/DCR | | REV. | REVISIONS | DESCRIPTION | DATE | APPD |
|---------|---|------|------------------------|-------------|----------|------|
| - | - | - | INITIAL RELEASE | | 04-27-07 | - |
| - | - | - | REVISED DRAWING FORMAT | | 06-05-24 | - |

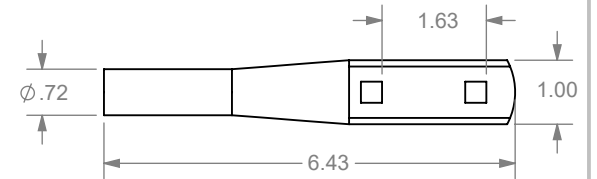
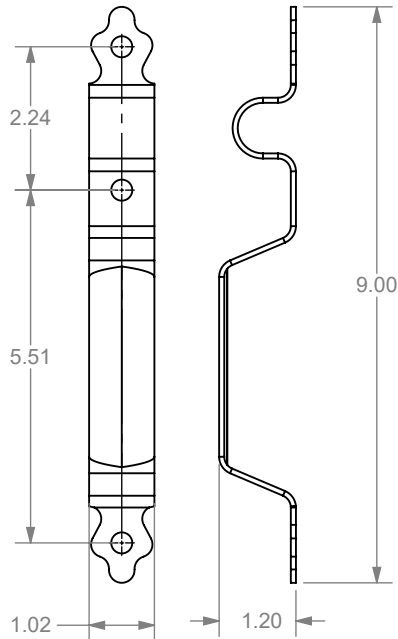
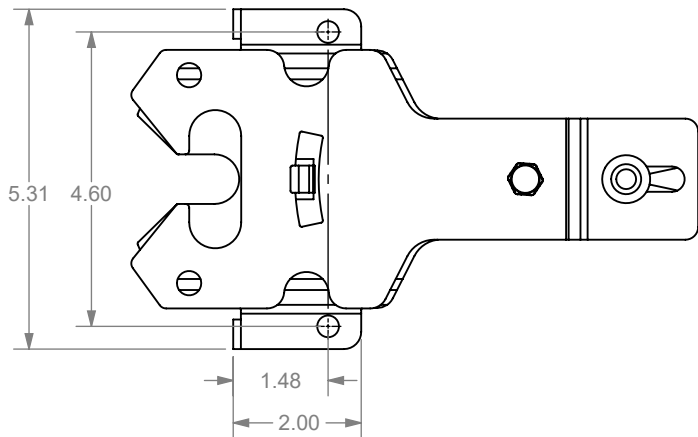
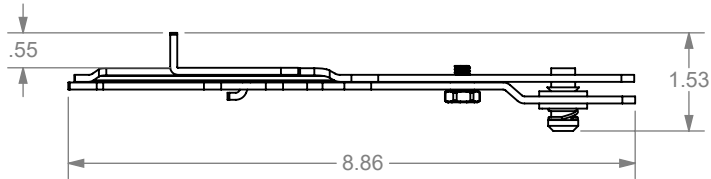
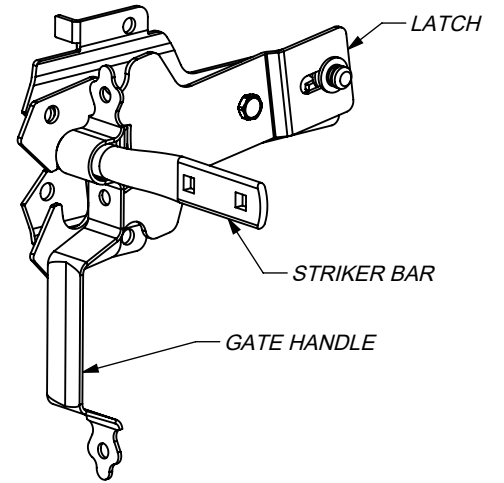
PACKAGING INSTRUCTIONS

POLYBAG CONTAINING:

- (1) LATCH
- (1) STRIKER BAR
- (1) GATE HANDLE

- POLYBAG CONTAINING:

- (4) 5/16" X 1-3/4" HEX HD LAG SCREWS
- (2) 1/4" X 1-1/4" HEX HD LAG SCREWS
- (1) 1/4"-20 X 1-1/4" HEX HD SCREW
- (1) 1/4"-20 HEX NUT
- (1) 1/4" WASHER



DIMENSIONS ARE IN INCHES
 TOLERANCES:
 FRACTIONAL ±1/16"
 ANGULAR: MACH ±1° BEND ±1°
 TWO PLACE DECIMAL ±0.01
 THREE PLACE DECIMAL ±0.005

PROPRIETARY AND CONFIDENTIAL
 THE INFORMATION CONTAINED IN THIS DRAWING IS THE SOLE PROPERTY OF NATIONWIDE INDUSTRIES. ANY REPRODUCTION IN PART OR AS A WHOLE WITHOUT THE WRITTEN PERMISSION OF NATIONWIDE INDUSTRIES IS PROHIBITED.

NATIONWIDE INDUSTRIES®

CONTEMPORARY POST LATCH

SIZE: **A** DWG. NO. **CS--NW38310Q** REV. **1**
 SCALE: 1:3 WEIGHT: SHEET 1 OF 1